

1

2

3

4

A

A

B

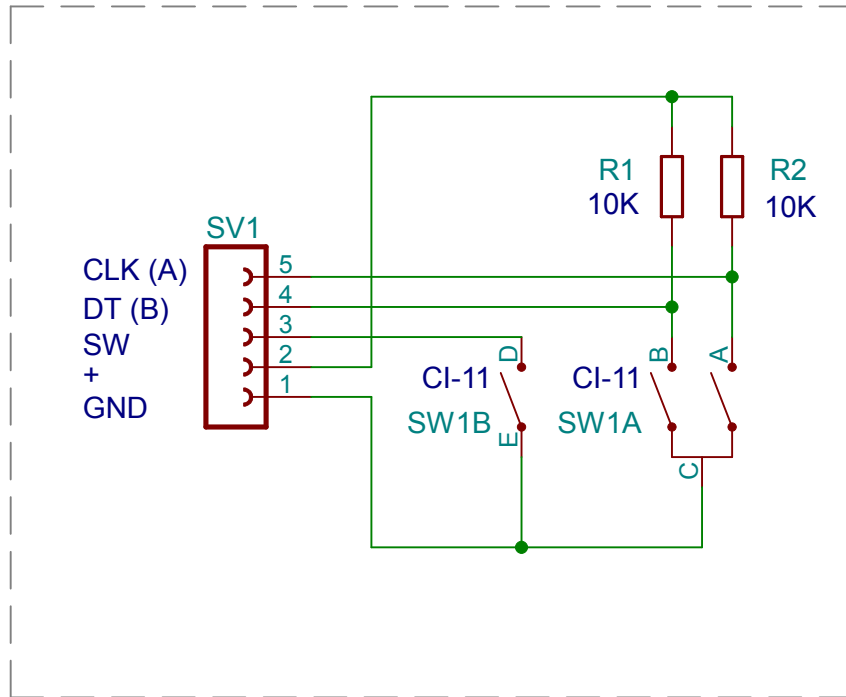
B

C

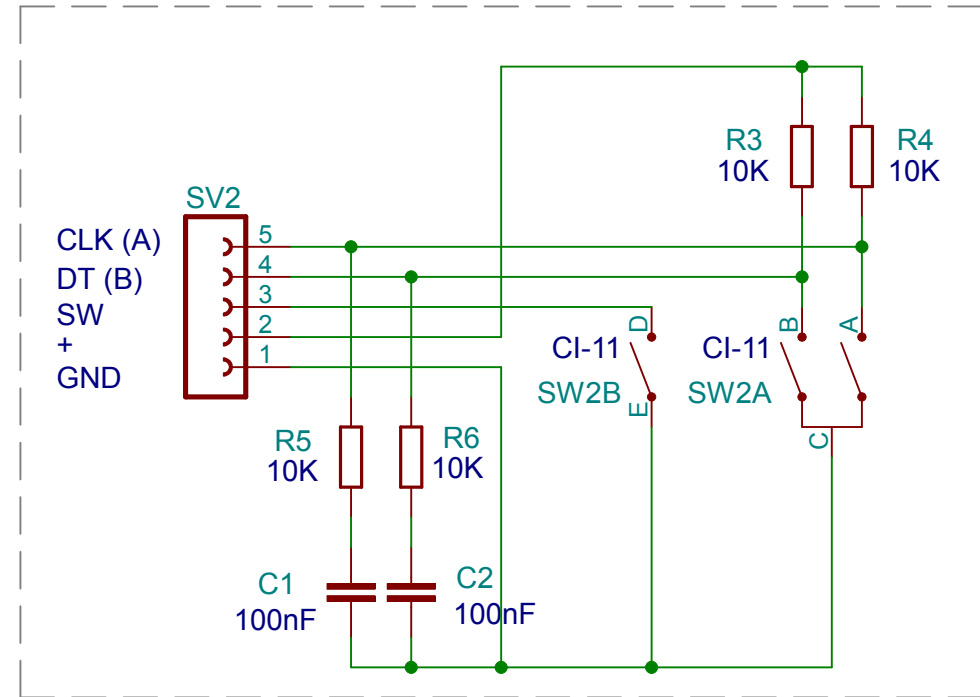
C

D

D



Actual breakout board



Recommended configuration

Incremental Rotary Encoder

See my project site on www.vishnumaiea.in

27-07-2017, Thursday 11:04:58 PM

Rotary Encoder

Sheet: 1/1

1

2

3

4